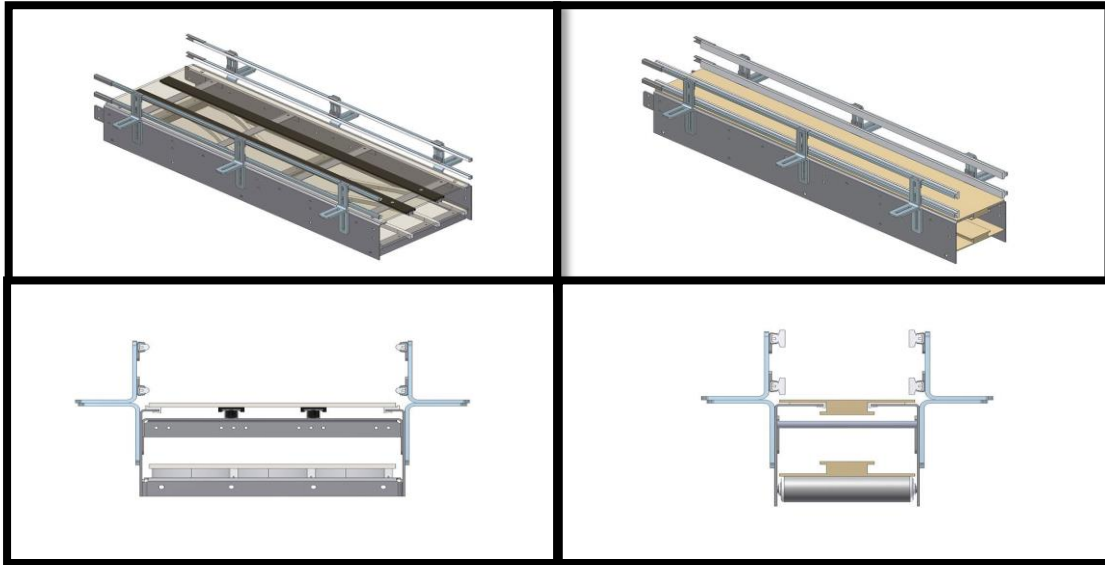


# ARROW-ADVANCED SERIES CONVEYORS



Keep costs down and quality up with Arrow Conveyor's ArrowAdvance® line of open top conveyors designed for both TableTop and MatTop configurations. ArrowAdvance® equipment is engineered according to customer specifications for a variety of applications such as transporting, merging, diverting, or accumulating various sized packaged products,

**Open top construction**—with UHMW clip-on wearstrips, roller or serpentine slider returns, TableTop or MatTop chains

**Customer specific engineering**—that is economical and easily configurable to keep up with ever changing production requirements

**Compatible with industry standard chains**—including table top flight chains or modular plastic belts with a continuous conveying surface

**Designed for durability**—offered in heavy-duty stainless steel or painted mild steel construction with bolt together design and vibration resistant fasteners

**Complimentary accessories**—such as guide rails, brackets (fixed and adjustable), product gating (powered and manual), dust covers, drip pans, supports, and transfer aids

**Variety of modular sections**—including flex curves, dynamic transfers, flow through transfers, parallel side transfers, Pressureless Singlefilers, deceleration modules, combiners, drive ends, idle ends, and incline/decline modules

# ARROW-ADVANCED SERIES CONVEYORS



	Standard Specifications	Available Options
<b>Frame Construction</b>	Open Top	Per Customer specification
<b>Frame Material</b>	Hot Rolled Mild Steel with Steel-it grey color match paint	Stainless Steel with #4 polish; Per Customer specification
<b>Standard Modules</b>	TableTop: Idle Ends, Drive Ends, 15°, 30°, 45°, 60°, 75°, 90°, and 180° Turns, Radius 18", 24", 30", 36" MatTop: Idle Ends, Drive Ends	TableTop: Inline Transfers, Parallel Transfers, Copes; Per Customer specification MatTop: Parallel Transfers, 90° Transfers, Copes; Per Customer specification
<b>Chain Return</b>	Serpentine	PVC Roller with Delrin end bearings; Per Customer specification
<b>Intermediate Frame Depth</b>	TableTop: 7.5" MatTop: 7.0"	TableTop: Per Customer specification MatTop: Per Customer specification
<b>Frame Depth</b>	TableTop: 9" Drive, Idle, & Parallel Transfer with End Caps MatTop: 9" deep Drive, Idle, & Parallel Transfer, 15" deep 90° Transfers	Per Customer specification
<b>Wearstrips</b>	TableTop: UHMW Clip-on MatTop: UHMW with Steel Backup	Brass, Steel, Anti-Static; Per Customer specification
<b>Bearings</b>	Two-hole, Flange Mounted, Cast Housing	Per Customer specification
<b>Guide Rail Brackets</b>	Adjustable Slotted Steel "L"-Brackets	Fixed bracket; Per Customer specification
<b>Guide Rails</b>	SS Channel with Round or Flat UHMW Insert	Per Customer specification
<b>Drive Mount</b>	Shaft / Flange Mounted—RH or LH	Adjustable Below Mount; Per Customer specification
<b>Speeds</b>	Per Customer specification	Compact VFD mounted to Drive End, 90 VDC Motor with Controller; Per Customer specification
<b>Standard Lengths</b>	TableTop: 1'-0" , 2'-0" and 3'-0" Idle Ends, 2'-0" Drive Ends, Standard Turns have 18", 24", 30", 36" Radius and 6" Tangents MatTop: 18" and 48" Idle Ends, 48" Drive Ends, 48" or 72" Parallel Transfers	Per Customer specification
<b>Supports</b>	1.5" x 1.5" MS and SS Angle with Welded Cross Members and Adjustable Foot, 1.5" Square Tube with Threaded Rod for Adjustment	Per Customer specification
<b>Height Range</b>	27" - 65", +/- 3"	Per Customer specification
<b>Shafts</b>	TableTop: 1" diameter Steel with .25" keyway MatTop: 1.44" diameter Steel with .38" keyway	Per Customer specification
<b>Table Top Chain Widths</b>	TableTop: 3.25", 4.5", 7.5", 10", 12" MatTop: 3.25", 4.5", 7.5", 12", 15", 18", 24"	Per Customer specification
<b>Chain Types</b>	Straight Running, Side Flexing	Per Customer specification
<b>Chain Material</b>	TableTop: LF Plastic, HP Plastic, MS, SS MatTop: LF Plastic, HP Plastic	Per Customer specification
<b>Other Options</b>	N/A	Roller Deadplates, SS Deadplates, Flush Side Areas, .75" Side Transfer Deadplates (Table top), 1.25" Side Transfer Deadplates (Mat top); Per Customer specification